

INDUSTRIAL DIESEL ENGINE

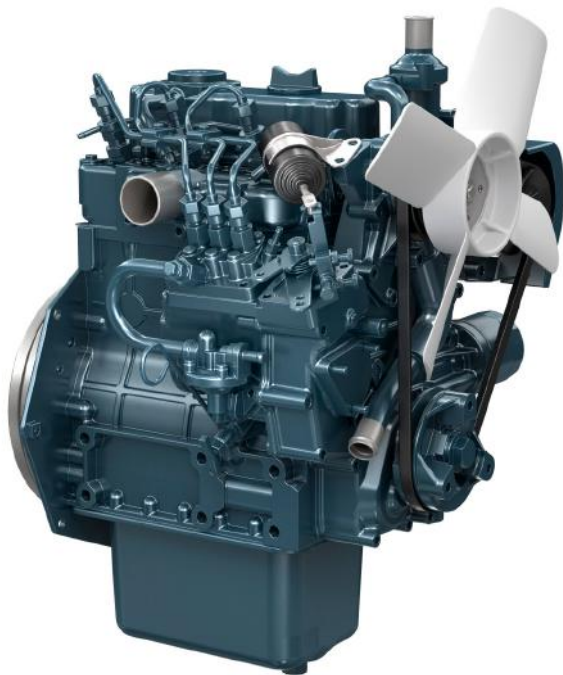
Kubota Super Mini Series (3-Cylinder)

D722-E3B



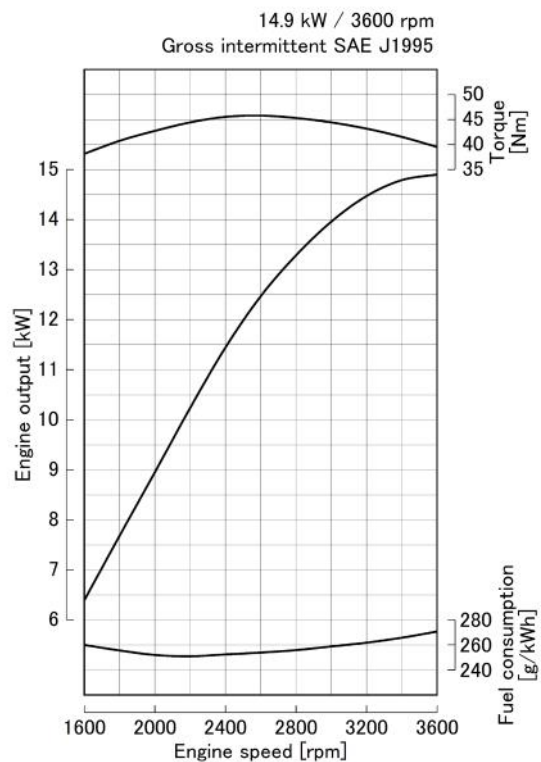
Rated Power

14.9 kW @ 3600 rpm



Photograph may show non-standard equipment.

Performance Curves



Features and Benefits

Emissions

The Kubota Super Mini Series features compact multi-cylinder liquid cooled industrial diesel engines which comply with EPA / CARB Tier 4 emissions level.

Durable Power

The Kubota Super Mini Series has been chosen as a power source for a variety of applications. The D722 engine offers a seamless transition from EPA Tier 2 to EPA Tier 4 by maintaining the same level of performance and physical characteristics. Alternative fuel engines WG752-G (gasoline) and WG752-GL (dual fuel: gasoline / LPG) are available with the same footprint as the D722 engine.

Clean and Quiet Power

Kubota's original E-TVCS (Three Vortex Combustion System) has been improved. The piston recess has been optimized to achieve lower particulate matter (PM) levels at an extremely small size. The half-float valve cover and MoS₂-coated pistons reduce noise levels and decrease vibrations transmitted from the valve area.

D722-E3B

Engine Specifications

Engine model		D722-E3B
Emission regulation		EPA/CARB Tier 4 level
Type		Vertical, water cooled 4-cycle diesel engine
Cylinders		3
Bore and stroke	mm (in)	67.0 x 68.0 (2.64 x 2.68)
Displacement	L (cu.in)	0.719 (43.88)
Aspiration		Naturally aspirated
Aftertreatment		-
Rated output / speed *1	kW (HP) / rpm	14.9 (20.0) / 3600
Maximum torque / speed *1	Nm (lb-ft) / rpm	45.8 (33.8) / 2600
Combustion system		Indirect injection
Fuel system		In-line pump
Length x Width x Height *2 (without aftertreatment unit)	mm (in)	407 x 386 x 564 (16.0 x 15.2 x 22.2)
Length x Width x Height *3 (with aftertreatment unit)	mm (in)	-
Dry weight *3	kg (lbs)	63 (139)

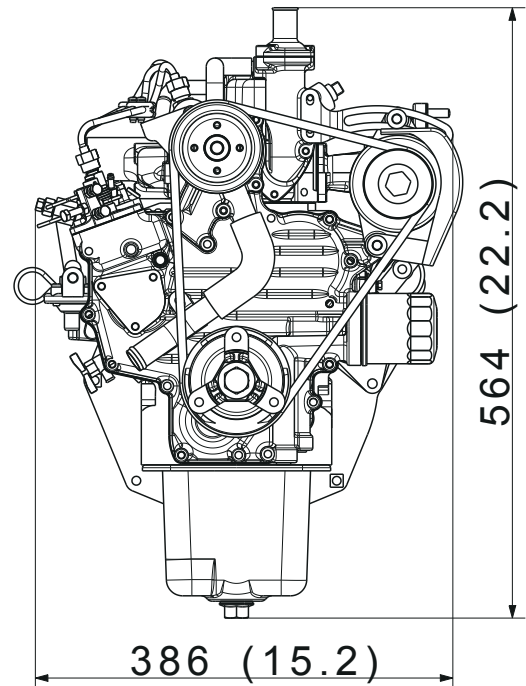
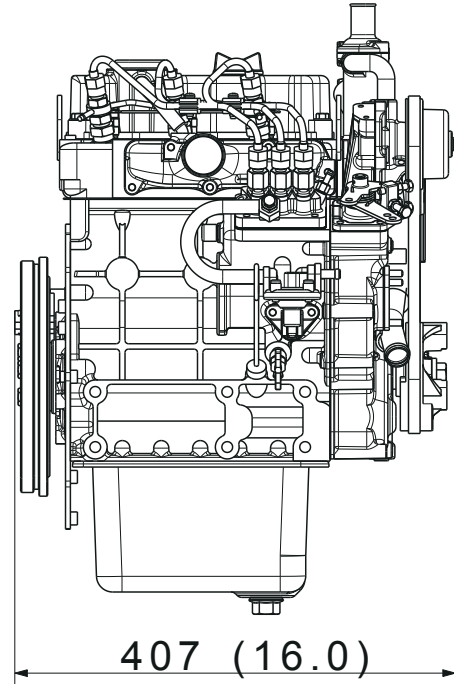
Specifications are subject to change without notice.
Dimensions and dry weight are according to Kubota's standard specification.
Dimensions and weight depend on completed specifications.

*1: SAE J1995 gross intermittent

*2: Exclude cooling fan and exclude aftertreatment unit

*3: Exclude cooling fan and include aftertreatment unit on engine

Dimensions



Kubota Corporation

2-47, Shikitsu Higashi 1-chome Naniwa-ku, Osaka, 556-8601 Japan

<https://global.engine.kubota.co.jp/en/>

ASP-D722-E3B1808-R1-I