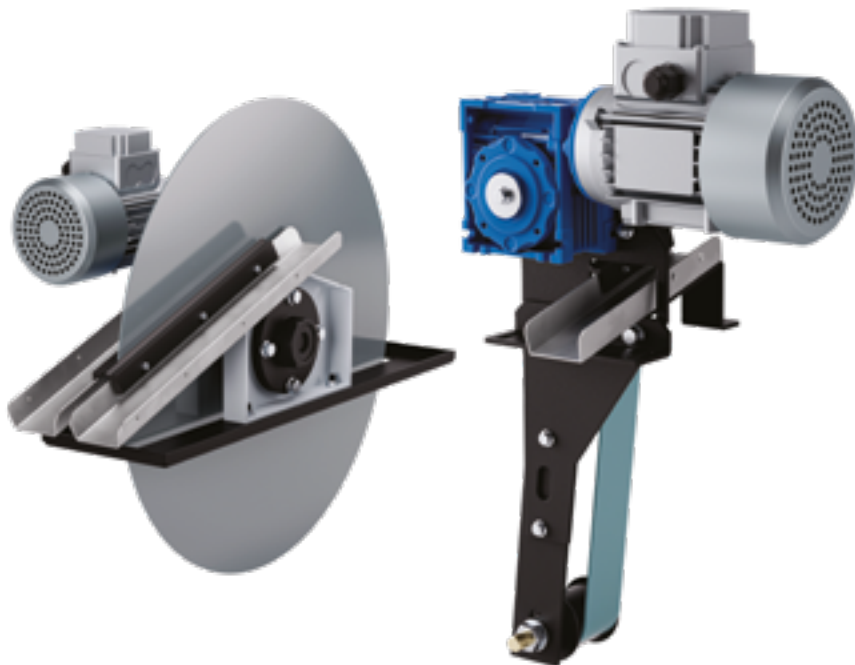

Skim

Liquid Purification

Surface oil skimmer



Skim

Skim is a surface oil skimmer that is suitable for use on any type of tray or tank, thanks to its shape and the materials used. Skim is available in disc (Skim-D) or belt (Skim-N) versions.

The latter version is more suitable where there is little space and when the liquid level varies significantly. Skim removes the thin film of light products from the coolant surface.

This film cannot not mix with the water, so it creates a barrier that prevents air from coming into contact with the emulsion, promoting the formation of anaerobic bacterial flora.

Using Skim therefore eliminates odours and maintains the coolant quality for a long time.

Losma guarantees that each purifier is tested through strict control procedures. A quality and functional test certificate is issued for each unit.



1. Skim-D



1. Skim-N



Operation

The rotating disc or belt is immersed in the liquid and draws out the contaminants that adhere to it. As it rotates, the disc or belt encounters two scrapers with rubber edges, which remove everything adhering to it, and then special channels convey the contaminant to the outside.

Skim can be equipped with an electrical control and monitoring cabinet, which allows timed operating cycles to be set.

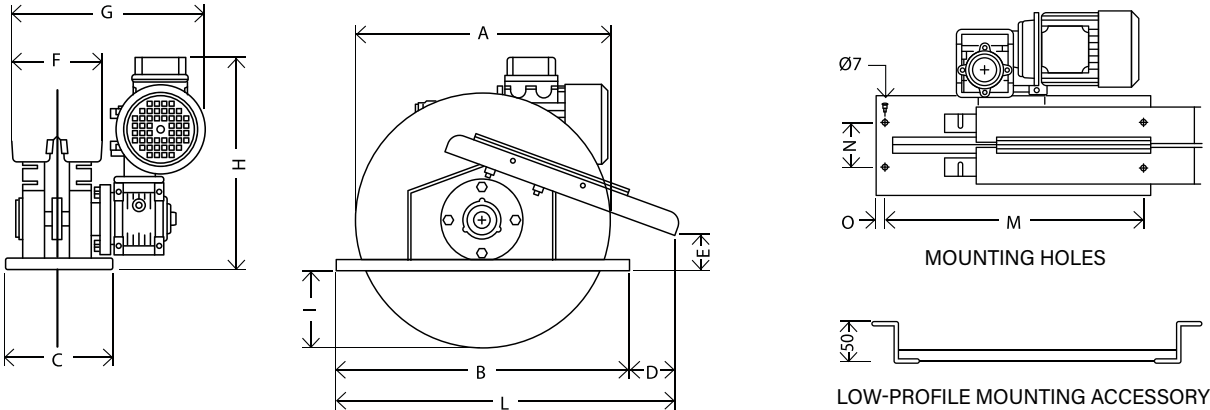
Plus

VERSATILE AND EASY TO MAINTAIN

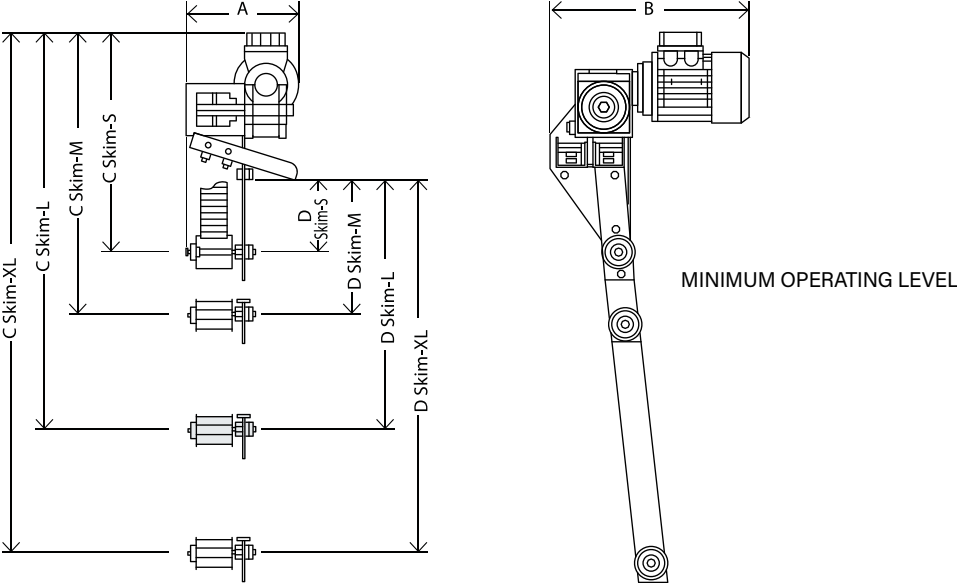
The wide range of accessories make it possible to fit Skim on the tank, on the cover, recessed or on an internal structure. Its very simple construction limits maintenance to a few interventions. Checking scraper wear and periodically cleaning the drain channels is enough to keep the system in perfect working condition.

Technical Data

SKIM-D



SKIM-N



1. Skim-D

Models	Dimensions (mm)													Maximum oil removal per hour (l/h)	Weight (Kg)	Power (kW) 50 Hz / 60 Hz
	A	B	C	D	E	F	G	H	I	L	M	N	O			
Skim-D ₁	350	400	150	60	50	120	280	300	80	462	374	66	13	13	15	0,12
Skim-D ₂	500	550	150	52	28	120	280	300	180	612	524	66	22	22	18	0,12
Skim-D ₃	600	650	150	78	0	120	280	300	230	740	624	66	35	35	20	0,12

* Data may vary depending on application, processing and liquid used.

2. Skim-N

Models	Dimensions (mm)			Immersion depth (mm)	Maximum oil removal per hour (l/h)	Weight (Kg)	Power (kW) 50 Hz / 60 Hz
	A	B	C				
Skim-N _S	205	356	441	126	18	15	0,12
Skim-N _M	205	356	554	238	18	18	0,12
Skim-N _L	205	356	982	666	18	20	0,12
Skim-N _{XL}	205	356	1220	930	18	22	0,12

* Data may vary depending on application, processing and liquid used.