

---

# PEGASO

---

## Air Filtration

---

Oil mist extractor with  
synthetic nanofibre extractors



---

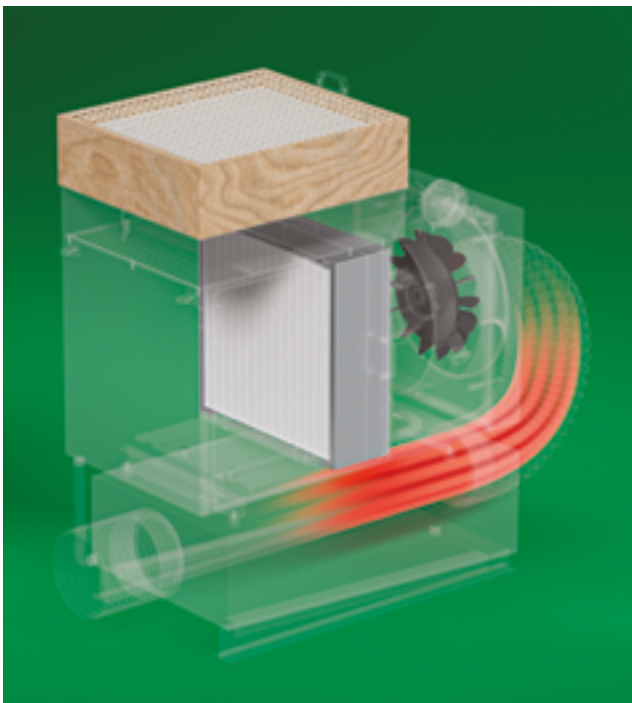
# Pegaso

Pegaso is a static extractor for purifying oil mists, micro-mists and fumes from cutting fluids (emulsions or neat oil). It can be used on all types of machine tools and in all removal machining processes.

It is available in five construction sizes (S - M - L - XL - XXL) with flow rates from 730 to 3860 m<sup>3</sup>/h and increasing filtration efficiency up to 99.95% (using an H13 absolute HEPA pre-filter according to EN 1822).

All filters are tried and tested prior to shipment.

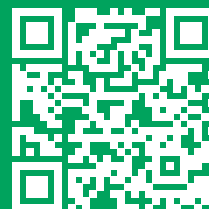
Losma guarantees that each extractor is tested through strict control procedures. A quality and functional test certificate is issued for each unit.



## Operation Video

Discover how it works in detail. Watch the descriptive video about Pegaso.

Scan the QR Code.



## FILTER SEQUENCE SUPPLIED:

The arrangement of the internal filters in Pegaso has been designed to offer increasing filtration efficiency over 3 stages:

### **G2 METAL FILTER**

This is a flat metal cell with an aluminium mesh filter medium. ISO Coarse efficiency of 30% according to ISO 16890.

### **60 PPI POLYURETHANE FILTER**

Polyester-based cross-linked polyurethane foam. ISO Coarse efficiency of 80% according to ISO 16890.

### **F9 SYNTHETIC NANOFIBRE FILTER**

This is a high efficiency filter with a synthetic nanofibre medium. ISO ePM1 efficiency of 80% according to ISO 16890.

This ensures that Pegaso offers a higher efficiency to eliminate all contaminant particles down to the micron range. The filters are easily accessible by removing the retaining screws and opening the side door, allowing quick, easy and clean maintenance.

1. G2 Metal Filter
2. 60 PPI Polyurethane filter
3. F9 Synthetic Nanofibre filter



---

# Plus

## **NEW FRONT IMPELLER AND OPTIMIZED DRAINAGE SYSTEM**

The new front impeller is capable of separating the contaminants to a significant degree at the inlet, optimizing the drainage system fully.

## **INNOVATIVE FILTER AND MATERIAL SEQUENCE**

Combining innovative materials, as in the F9 synthetic nanofibre filters, doubles the lifetime of Pegaso filters compared to conventional filter media.

## **AVAILABLE IN FIVE SIZES, WITH OPTIONAL PRE- AND POST-FILTERS**

Pegaso is available in five construction sizes, with variable flow rates to suit different machining needs.

It is also configurable with optional pre- and post-filters to bring the overall filtration efficiency up to 99.95%.



# Optional

## 1. P-Guard Pre-Filter

This is a metal pre-filter to maximise filtration efficiency and filter duration when there is a lot of oil mist, or mists mixed with dusts and metal chips.



## 2. H13 Post-Filter

H13 microfine glass fibre post-filter, capable of ensuring filtration efficiencies up to 99.95%. This filter has two optional configurations: internal or external.



### 3. Pressure gauge / Pressure switch / X-View

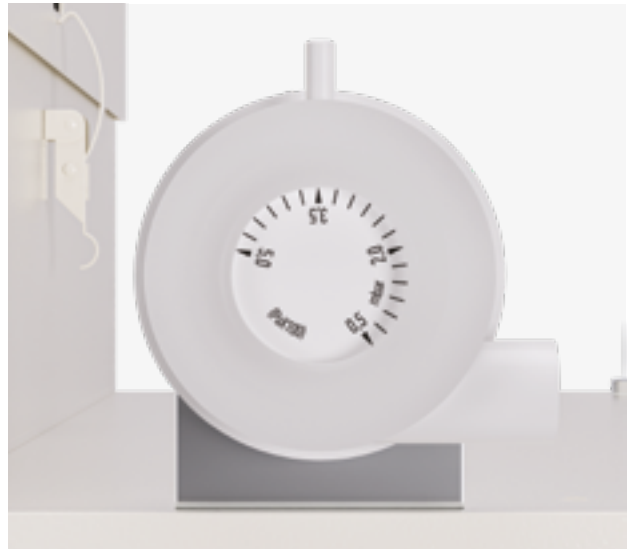
The Pegaso range offers the possibility of monitoring filter clogging in real time by choosing the option that best suits your needs from the three available configurations:

- Pressure gauge (standard configuration);
- Pressure switch;
- X-View.

1. Manometro



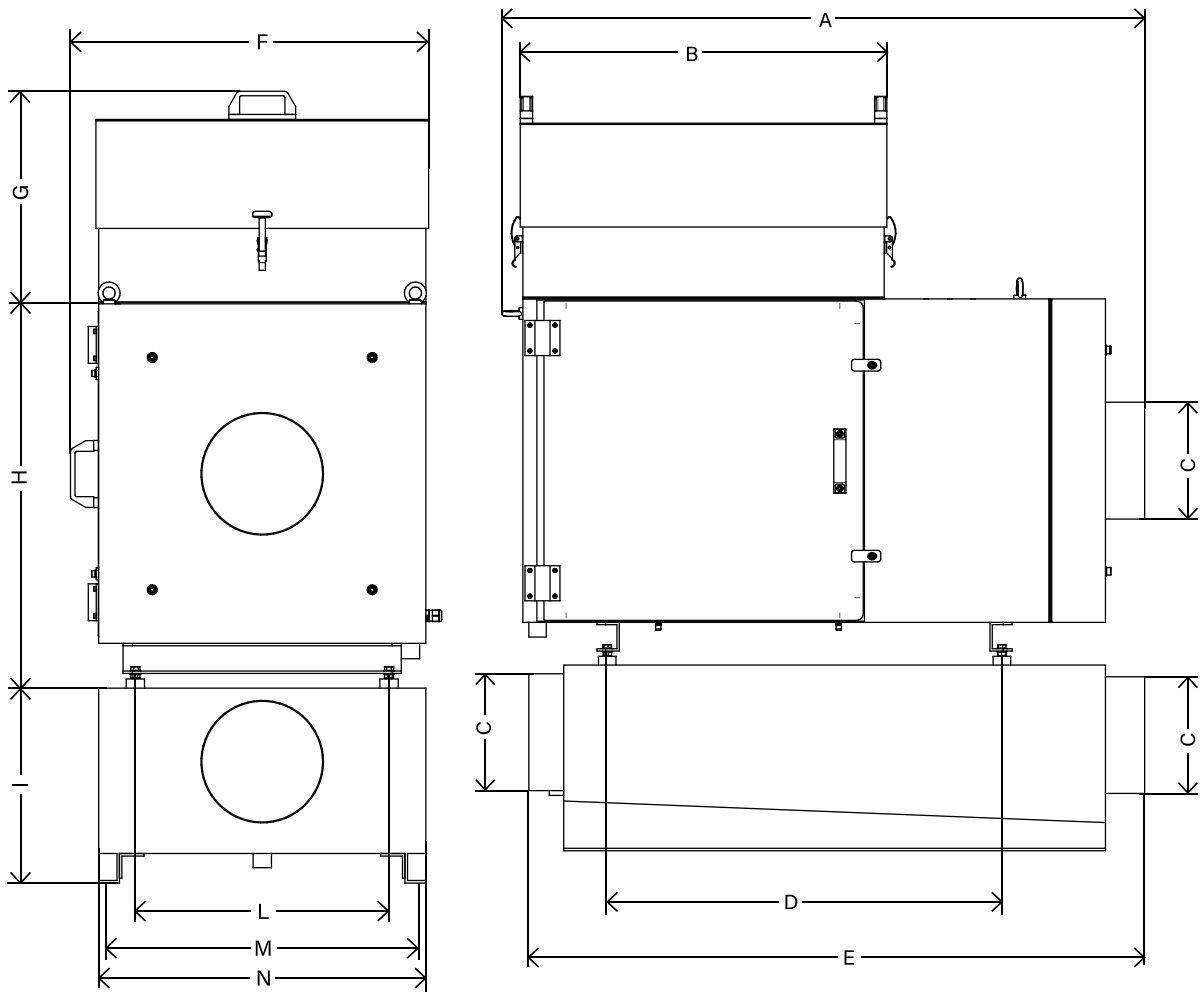
2. Pressostato



3. X-View



# Technical Data



Models	Dimensions (mm)													Weight (Kg)
	A	B	C	D	E	F	G	H	I	L	M	N	O	
Pegaso S/M	1020	500	150	590	915	465	345	510	300	295	380	415	25	61-68
Pegaso L/XL/XXL	1100	630	200	675	1065	585	345	630	350	415	500	535	25	96-106

Models	Maximum air flow rate (m <sup>3</sup> /h) *		Pressure (Pa)		Power (kW)		Maximum Noise (dba)		Suction inlet (mm)
	50 Hz	60 Hz	50 Hz	60 Hz	50 Hz	60 Hz	50 Hz	60 Hz	
Pegaso S	730	800	500	740	0,37	0,43	67,8	70,5	150
Pegaso M	950	1170	830	1250	0,75	0,86	69,6	72,8	150
Pegaso L	1600	1800	970	1400	1,5	1,75	73,8	76,6	200
Pegaso XL	2000	2400	1200	1750	2,2	2,54	77,6	79	200
Pegaso XXL	3300	3860	1740	2530	2,2	2,54	79,5	83,6	200

\* Free inlet. Standard filter configuration without optional H13 post-filter.